



Structured engineering - designed & built by engineers

Welcome to DBS Nationwide Engineers

Steel Build Experts

Thinking about a steel built structure?

Have your building created by structural engineers. DBS Nationwide Engineers the steel building experts. DBS is a financially well funded company with roots deep within the construction industry. Our history within construction spans over 25 years.

A steel building in it's most perfect existence is a combination of the highest grade material and precision structural engineering. We at DBS support and practice these principles, we use the finest grade galvanised steel and relying upon our engineering experience, manufacture it into one of the most advanced structures available today.

Design and Build

We supply any building imaginable from domestic garages to industrial factory units and everything in between. In fact any building, any size, any where. We serve the whole of the UK and beyond with 2 deliveries per week nationally. We have 4 construction teams working 7 days per week all over the UK. We can supply your building with full self-building instructions or give you a competitive quote for a complete turnkey operation.

Every project big or small is allocated a project manager who's remit is to give you constant and personal service until satisfactory completion. The product is totally galvanised for maintainance free service and will not rust, rot or colour fade. Life expectancy is some 80 to 100 years and it is guaranteed for 20 years.

We will beat any like for like genuine quotation.

Our Services Include

- 4 week supply and delivery
- 25 years experience
- 20 year guarantee
- All buildings BS5950 / 5502
- Kit form supply / build service
- Any building, any size, anywhere
- Free plans for local authority submission
- Open 7 days a week, 8 am 'til 8 pm

Remember, with **DBS Nationwide Engineers**, we're with you every step of the way.



Jade 14C37



Country Green



Juniper Green 12B29



Slate Blue 18B29



Willow 12B17

3.

Domestic Structures



01 Triple Garage
with low profile wall cladding

With our unique projex computer system we now offer our customers a very fast and efficient quoting service. We are able to quote your new steel building products within minutes. Our range of garages and sheds are the best value for money and our quality is second to none.

All buildings are engineer designed, and most residential buildings are supplied in easily transportable lengths, which is very useful when building in small backyards and confined spaces. All our products are available in a large range of sizes and prices to suit your needs.



02 Utility Buildings
used as office accomodation etc.



03 Double Garage
with light oak grained roller-doors



04 Single Garage
with low profile cladding



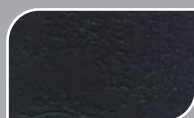
05 Double Garage
with Garaport



Moorland Green 12B21



Forest Green RAL 6002



Olive Green 12B27



Ivory RAL9002



Mushroom 10B19

4.

Agricultural and Equestrian



01

American Barn
used as farm shop

Our Agricultural and Equestrian repertoire is vast. Any building from Stabling and Arenas to Livestock Housing and feed storage is achievable in our design department. Stable partitioning is also available for quotation by request.



02

Large American Barn
stable block with centre service alley



03

American Barn
fitted out as workshop and barn



04

Quaker Barn
workshop with offices above

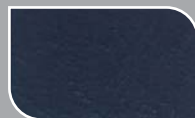


05

Quaker Barn (Internal Views)
with horizontal cladding



New Grey 10B23



Merlin Grey 18B25



White 00E55



Pigeon Grey 18B17



Goosewing Grey 10A05

5

Farm Sheds & Rural Buildings



01

Indoor Riding Arena
cost-effective and good looking

Our large range of rural buildings include open-front farm sheds, machinery sheds and hay sheds in a large range of sizes, styles and colours. Available in standard bays to accommodate residential type roller doors and average size vehicles and farm machinery.

Standard designs are available for any type of farm building. You also have the option of adding enclosed bays, lean-tos and garaports to any of our large range of rural buildings. Or you may prefer a 'Heritage' look with one of our steeper roof pitches.



02

Machinery Shed
external view



03

Machinery Shed
internal view



04

Workshop / Machinery Shed / Riding Arena
external view



Black 00E53



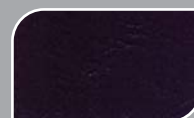
New Red 04D44



Buttermilk 10C31



Bamboo 08C35



Vandyke Brown 08B29

Dobel
- SSAD Swedish Steel Group -
Dobel 200XT
Colour chart



01

Industrial Factory

manufactured in corporate colours



02

Commercial Valet Shop

single skin or insulated



04

Storage Units

utilising award-winning Gliderol doors

Our large range of light and industrial buildings feature full galvanised steel framework, a choice of bay sizes (frame spacing), heights up to 6m (20') and spans to 25m (82'). Buildings may be stepped, easily fitted with aluminium shop fronts, personal doors or windows.

We have designs to suit a wide range of applications. Units can also be installed with industrial roller shutters / doors.



03

Industrial Building

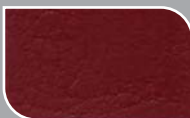
workshop and office space



05

Factory Starter Units

workshop and office space



High Performance Plastisol Finish

Each and every DBS building boasts a high tensile steel makeup, substituting weight for strength and longevity. A galvanised steel frame and highly attractive Plastisol-coated high tensile sheeting give you guaranteed peace of mind that you are purchasing a building manufactured from the best materials available, maintenance free. The Plastisol range of colour finishes also gives the choice of mix and match trims which will ensure that your building will be unique and pleasing to the eye.

Composite Panel Insulated Roof & Wall System

Panels manufactured and provided by Steadmans who specialise in insurance-industry approved PIR cored composite roof and wall panels, manufactured to ISO 9001 2000 quality standard. Steadmans also manufactures a range of metal cladding, flashing and galvanised roofing sections and accessories.

- AS35 - Composite Panels
- AS13/3/990 - Corrugated Metal Sheet
- AS30 - Mid-range Wall & Roof Sheet
- AS2000 - Metal Slate Roof System
- AS6 - Fibre Cement Sheet
- AS24 - Light Duty Wall & Roof Sheet
- AS34 - Heavy Duty Wall & Roof Sheet
- AS Fire System - 4hr fire resistance system

All panels are fully galvanised, can have a polyester or plastisol finish giving a 20 year maintenance free guarantee.

Gliderol Roller Doors

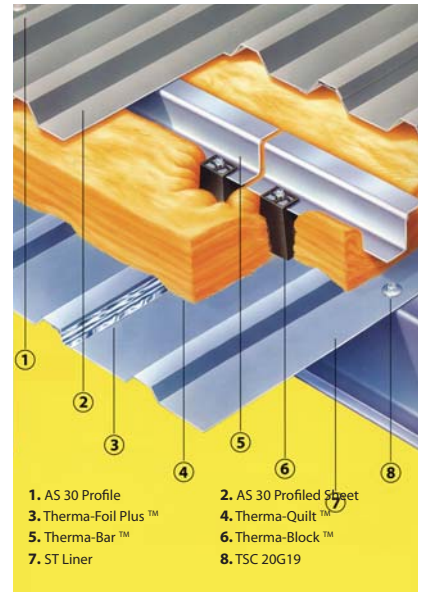
All buildings (except open bay barns) are supplied with award-winning Gliderol roller doors. Popular with major builders and householders alike due to their consistent quality and superior design, Gliderol doors are strong, silent and secure. All Gliderol roller doors come with a six year guarantee on mechanical components and a ten year guarantee on the attractive, high performance Plastisol finish.

Product Features:

- Inclusions: all gutters and downpipes, building instructions, layout drawings and all fixings.
- Engineers' certification available on request.
- Options: PA doors, sky-lights on roofs, non con. drip coating, electric roller doors.
- All buildings are wind rated and if necessary can be built for snow or cyclonic conditions.
- Variable lengths, widths and heights available.
- Bolted frames.
- Galvanised steel frames.
- High tensile steel used for frames.
- Wide range of colours available.
- You need never worry about rust again.
- 20 year warranty (conditions apply).
- All buildings are fully engineered to comply with all relevant codes.

Optional Extras:

- Windows.
- Glass sliding doors.
- Vents.
- Barn style window (available with American barn or 22° roof pitch).
- Heavy-duty access doors.
- Remote control unit for roller doors.
- Skylights.
- Partition walls.
- Insulation.
- Fire rated walls.
- Additional roller doors for back and sides of buildings.



Golden Yellow
08E51



Tangerine
Orange 06E53



Golden Glow
06E56



Poppy Red
04E53



Linden Green
12E53



Sage Green
12D45



Cornflower Blue
18E53

With You Every Step of the Way

Once you have purchased your building our involvement and assistance does not just stop. There are a number of support resources we supply to make building your project easier for you:

- A comprehensive build manual with specific bolt-by-bolt illustrations
- Just in case you do happen to get stuck momentarily, we have a dedicated build helpline with an engineer on call seven days a week to talk you through simply and clearly and keep you going.
- Or, we will build your project for you, very competitively.

DBS Nationwide Guarantee

Fully galvanised frame and sheeting will neither rust nor rot, you have the peace of mind that we only use Corus steel Products, the most respected supplier of steel in Europe, and that the guarantees and performance statement from Corus are directly passed on to you, our client.

Like What You See?

If you're interested in finding out more about the DBS Nationwide Engineers range of residential, rural, commercial and industrial buildings, or to request a no obligation quotation, please don't hesitate to get in touch. Our FREEPHONE number is 0800 345 7456 and we can also be contacted in the following ways:

Visit us at

Telephone: 01429 263397

Fax: 01429 263396

Website: www.dbsengineers.com

Email: sales@dbsengineers.com

FREEPHONE 0800 345 7456